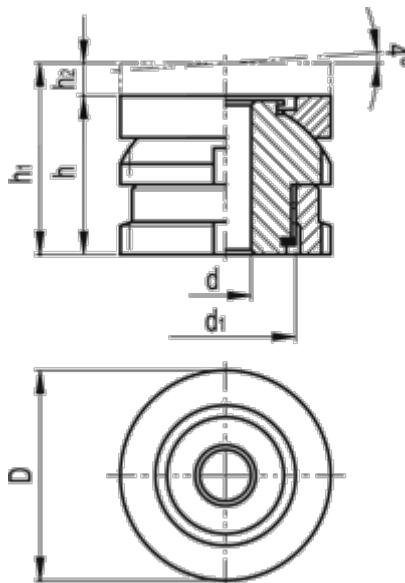


Article number: 203502321143ST

Description: E+G Levelling sets GN 350.2-32-11-43-ST

## Measures



C-spanner DIN 1810 = A30-32

d = 11

D = 32

d1 = M20x1

For screw = M10

h = 43

h1 = 63

h2 = 20

Max static load (kN) = 43.4

Static preload (kN) = 23.41

Weight (g) = 179